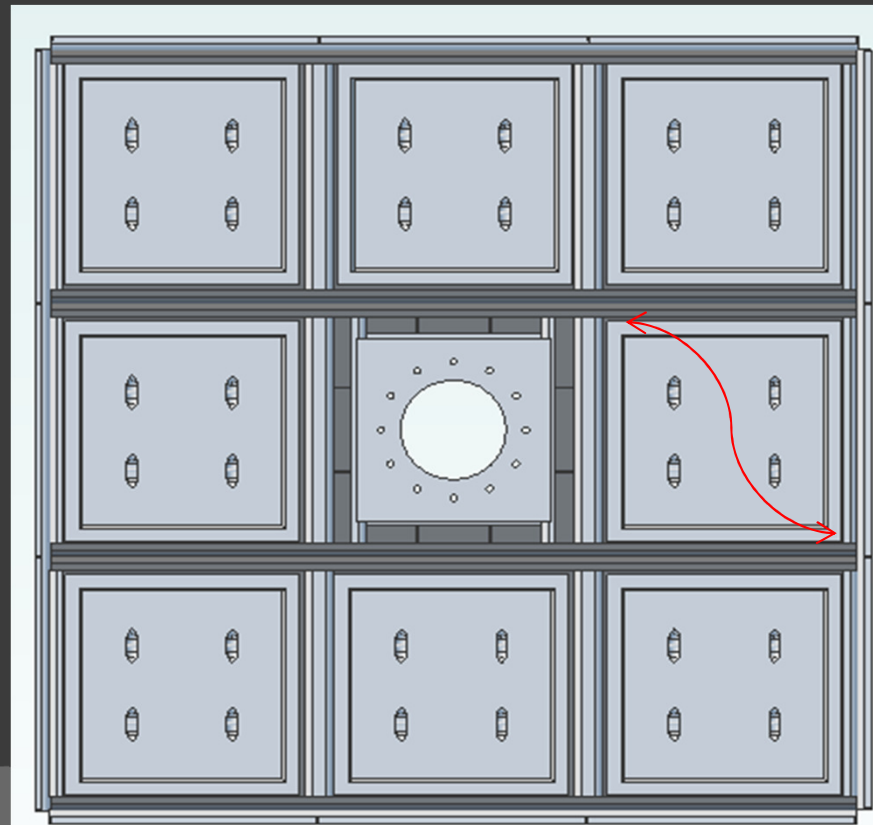
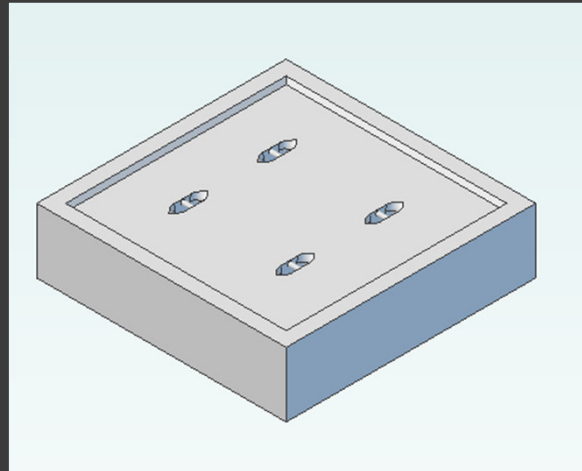


Lite-Site 25 Ballast Installation

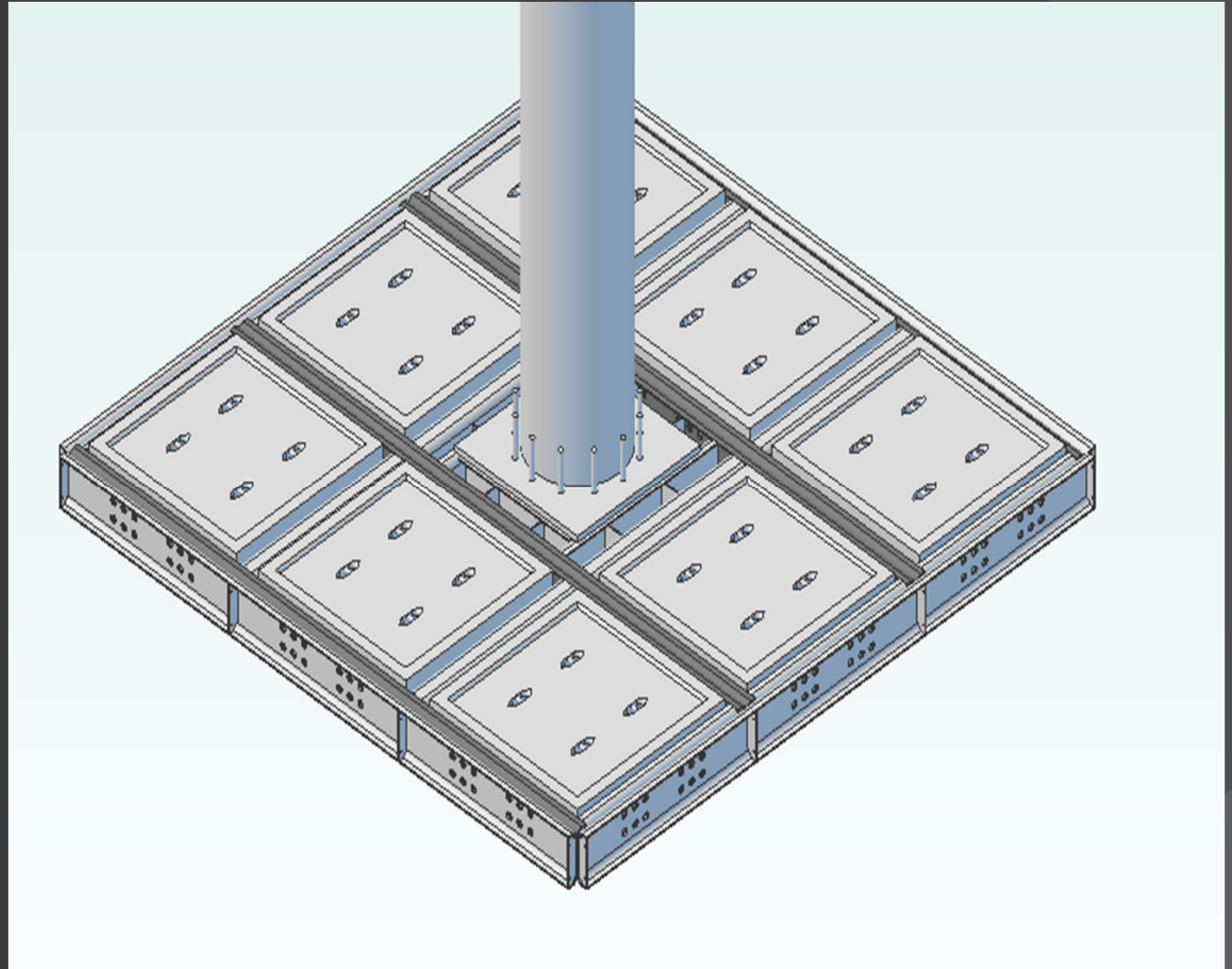
Adding Ballast to the Lite-Site 25 Foundation

- Place each of the bottom ballast blocks in the center of each “cell” of the foundation. There should be a 1”-2” gap on all sides of the ballast block between the foundation edges and the side of the ballast block.
- Ensure each block is centered in the cell
- Bottom ballast are 21.75” thick x 84” sq.
- Bottom Block Weight 12,500 - 13,000 lbs ea.

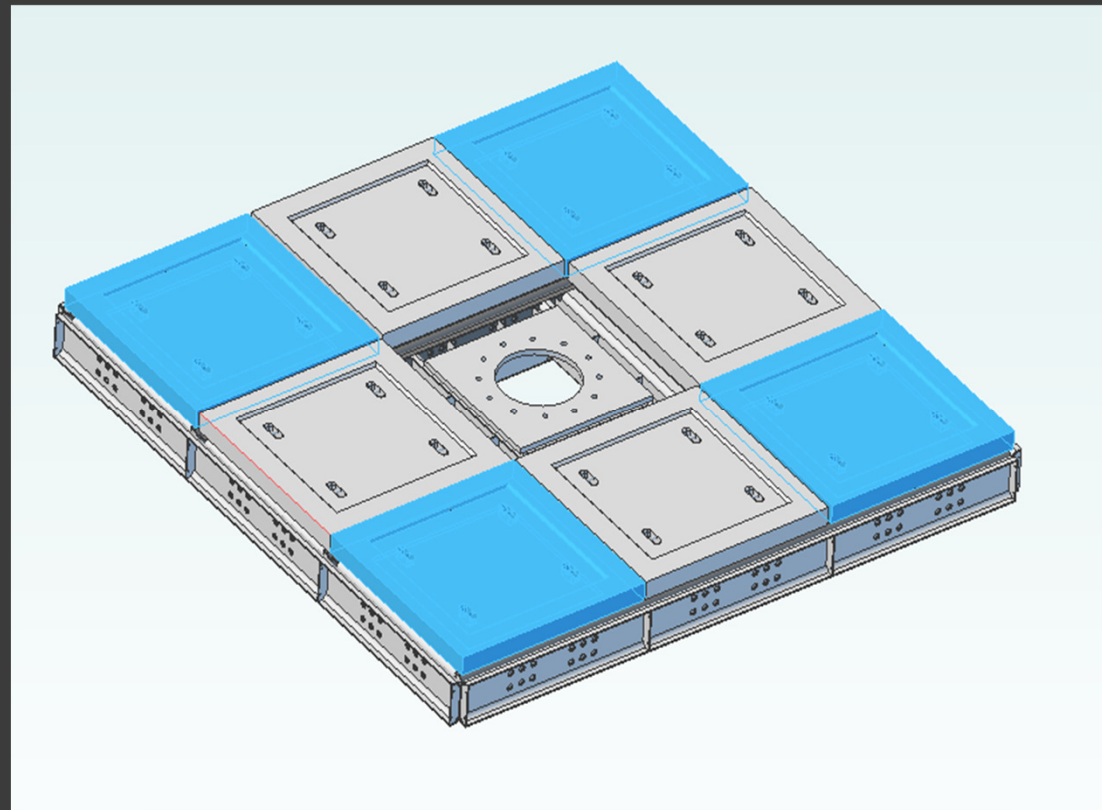
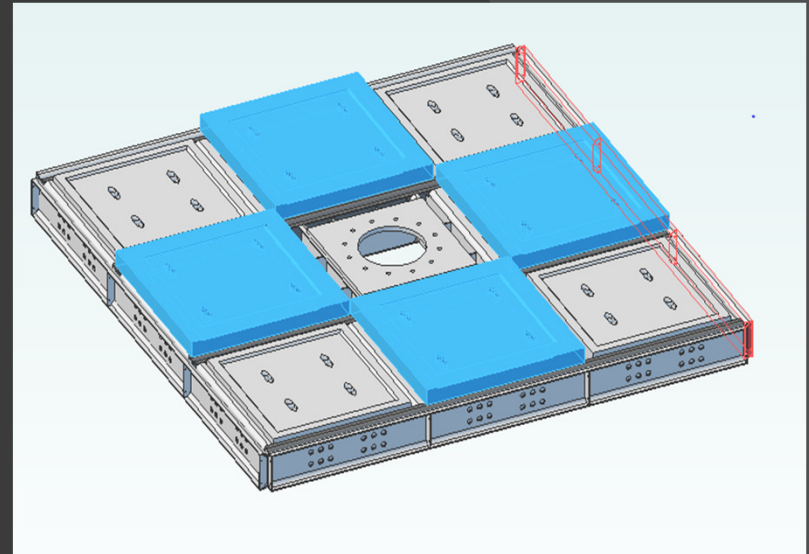
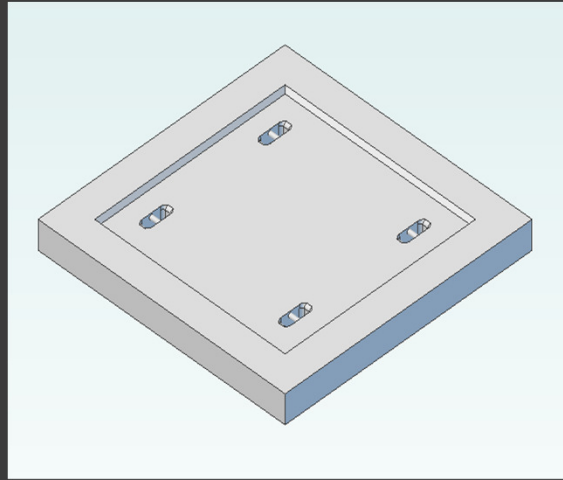


1" - 2" Gap Around Block

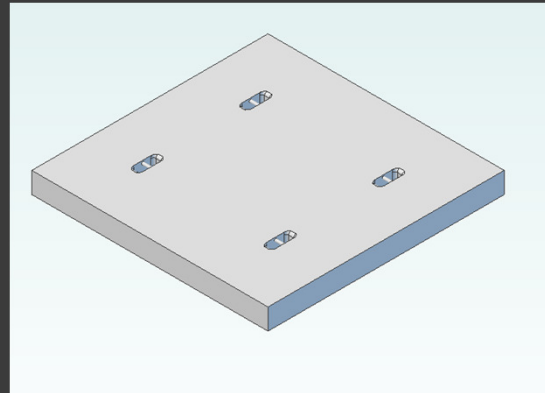
After adding the bottom ballast block to the base frame foundation, it might be easier to install the base section of monopole and plum and level the pole. Refer to anchor bolt assembly instructions and monopole installation guide.



- Place the middle ballast blocks on top of the bottom ballast block.
- Start with the center block on each edge of the foundation followed by the 4 corners
- There are 2 layers of middle Ballast Block. Set first layer, then second in the same way
- Middle ballast blocks weigh 6,250 lbs ea.



- Finish the ballast installation with the top blocks.



- Start with the center blocks on each edge of the foundation followed by the corners.
- Top ballast blocks weigh 6,250 lbs ea.

